

Purity Single Stage Brass Barstock Piston Cylinder Regulator

GPS420 Series Nitrogen pressure regulators

- Five port configuration
- Front & rear panel mounting capabilities
- Encapsulated seat design
- Low wetted surface area
- Full range of inlet and outlet fittings
- Base and side entry



GPS420 Series single stage piston cylinder regulators are designed for primary pressure gas control of non-corrosive or toxic, technical grade gases up to 4.5 purity (99.995%), on applications where slight pressure variation from decreasing cylinder pressure is acceptable.

DISCOVER MORE AT
HYDROTECHNIK.CO.UK/GPS420

Mobile plant

Wind turbines

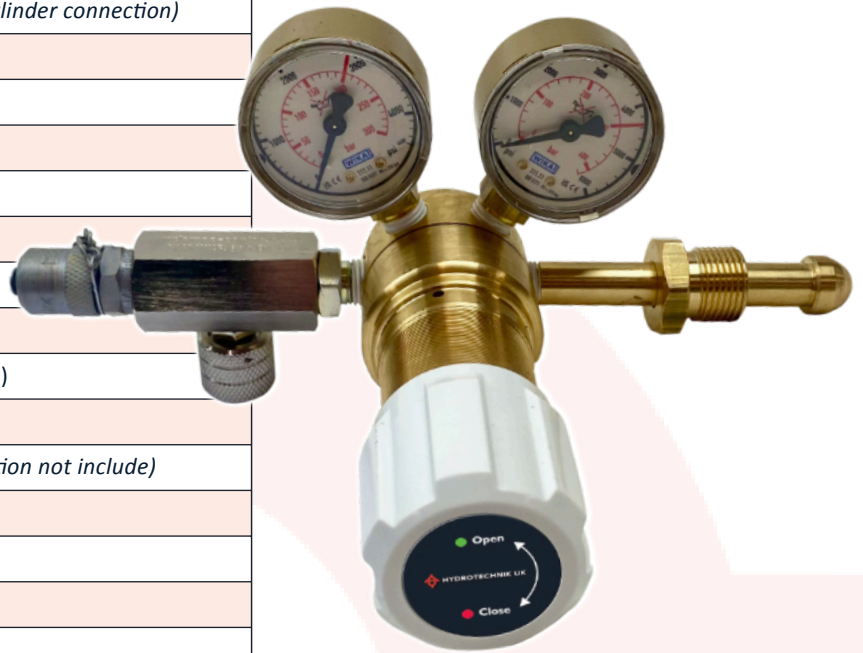
Fire suppression

Military vehicles

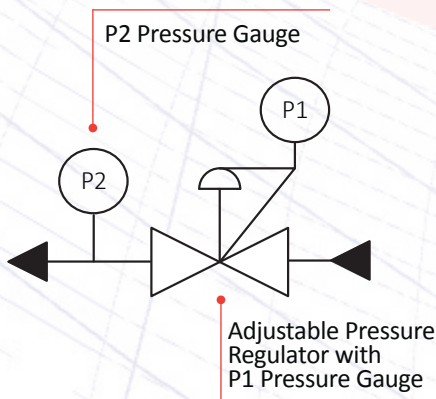
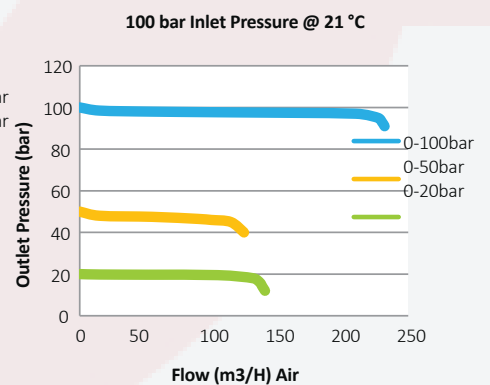
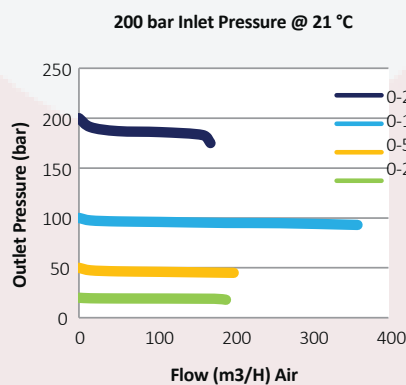
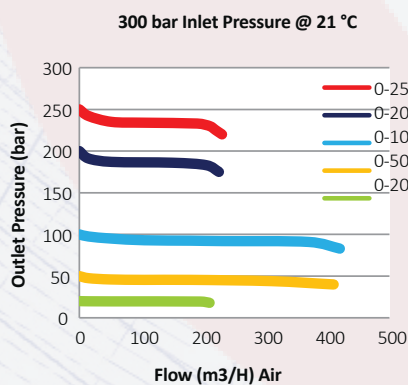
Industrial accumulators

TECHNICAL DATA

Maximum Inlet Pressure	60 bar (870 PSI)	
	300 bar (4350 PSI) <i>(Subject to cylinder connection)</i>	
Delivery Pressure Range	20 bar (300 PSI)	
	50 bar (725 PSI)	
	100 Bar (1450 PSI)	
	200 bar (2900 PSI)	
	250 bar (3630 PSI)	
Gauges	50mm (2") Diameter	
Ports	1/4" NPT Female	
Temperature Range	-20° C to +60° C (-4° F to +140° F)	
Flow Coefficient (Cv)	0.1	
Weight	1.5 kg (3.3 lbs) <i>(Cylinder connection not include)</i>	
Material	Body	Brass Barstock
	Bonnet	Brass Barstock
	Piston	Brass
	Seal	FKM / EPDM
	Valve Seat	Polyamide (Nylon®)
	Filter	10 Micron 316L Stainless Steel



FLOW PERFORMANCE

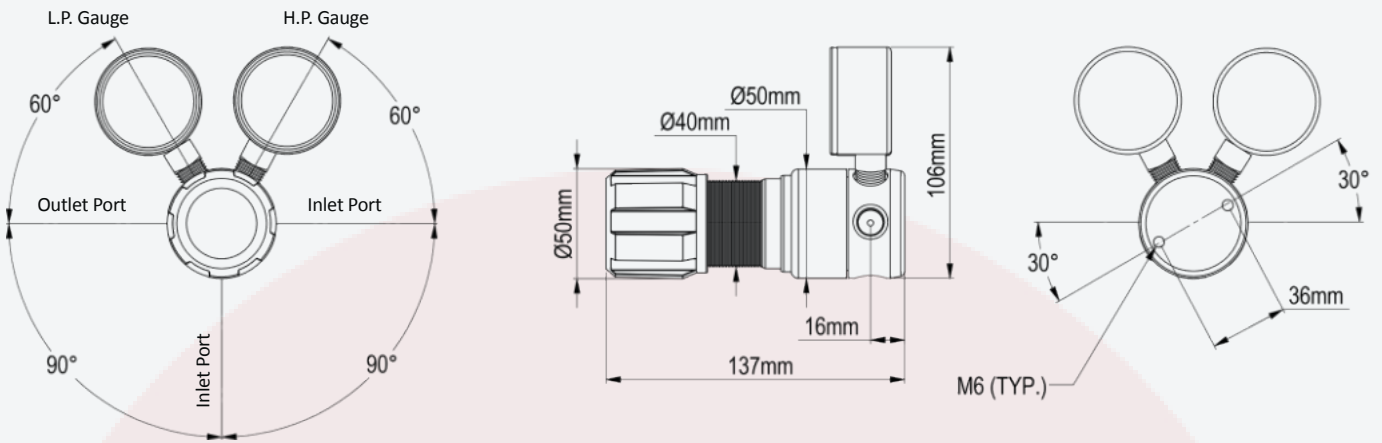


Also available in the Universal Nitrogen Gas Charging & Testing Kit for accumulator pressure testing, pressure reduction & increase.

Find out more at:
hydrotechnik.co.uk/gps-kit



DIMENSIONS



ORDERING CODE

GPS42V - XX - YY - ZZ - ZZ - AAA - BB - C

Replace **V** with the series model,
Single Stage Piston Regulator with:
1 = FKM Seal (standard model)
2 = EPDM Seal (on request)

Replace **XX** with the code for the inlet pressure
02 = 60 bar (870 psi)
04 = 300 bar (4,350 psi)

Replace **YY** with the code for the outlet pressure
07 = 0...20 bar (0...300 psi)
10 = 0...50 bar (0...725 psi)
11 = 0...100 bar (0...1,450 psi)
12 = 0...200 bar (0...2,900 psi)
13 = 0...250 bar (0...3,630 psi)

Replace **ZZ** with the required inlet
then outlet pressure gauges
00 = No Gauge Fitted
01 = bar/PSI
10 = Plugged port

Replace **AAA** with the code for inlet
connection
000 = No Outlet Fitted (1/4 NPT F)
001 = 1/8 Stainless Steel Compression
002 = 1/4 Stainless Steel Compression
003 = 6mm Stainless Steel Compression
004 = 1/4 NPT Male
007 = G3/8 BSP R/H Brass Male
008 = G3/8 BSP L/H Brass Male
009 = BS341 No.3 (Base Entry)
010 = BS341 No.3
011 = BS341 No.4 (Base Entry)
012 = BS341 No.4
015 = BS341 No.8
030 = DIN477 No.6
033 = DIN477 No.9
034 = DIN477 No.10
045 = CGA320
052 = CGA540
053 = CGA580

Replace **C** with additional requirements
A = No options required
F = Bonnet vent kit
K = Certificate of Conformity (CoC)
L = Panel mount locking nut kit
P = Calibration Pressure test certificate

Multiple options can be specified, see example.

Replace **BB** with the code for outlet connection
00 = No Outlet Fitted (1/4 NPT F)
01 = 1/8 Stainless Steel Compression
02 = 1/4 Stainless Steel Compression
03 = 6mm Stainless Steel Compression
04 = 1/4 NPT Male
05 = 1/4 SAE Flare Brass Male
06 = G1/2 BSP R/H Brass Male
07 = G3/8 BSP R/H Brass Male
08 = G3/8 BSP L/H Brass Male
09 = Isolation Valve, 1/4 NPT Female, FKM Seal
10 = Isolation Valve, 1/4 NPT Female, EPDM Seal
11 = Isolation Valve, 1/8 Stainless Steel Compression, FKM Seal
12 = Isolation Valve, 1/8 Stainless Steel Compression, EPDM Seal
13 = Isolation Valve, 1/4 Stainless Steel Compression, FKM Seal
14 = Isolation Valve, 1/4 Stainless Steel Compression, EPDM Seal
15 = Isolation Valve, 6mm Stainless Steel Compression, FKM Seal
16 = Isolation Valve, 6mm Stainless Steel Compression, EPDM Seal
17 = Isolation Valve, 1/4 NPT Male, FKM Seal
18 = Isolation Valve, 1/4 NPT Male, EPDM Seal
19 = Isolation Valve, G3/8 BSP R/H Brass Male, FKM Seal
BV = Soft seal bleed valve & Minimesse® 1620 charging hose test point
MM = Minimesse® 1620 charging hose test point

ORDERING EXAMPLE

GPS421-04-12-01-01-010-BV-KP*

GPS420 series nitrogen pressure regulator with FKM sealing (GPS421) with 300 bar inlet pressure (04), 0...200 bar outlet pressure (12), bar/PSI inlet pressure gauge (01), bar/PSI inlet pressure gauge (01), BS341 No.3 5/8" BSP male bullnose UK bottle connection (010), soft seal bleed valve & Minimesse® 1620 charging hose test point (BV), and both a Certificate of Conformity (K) / Calibration Pressure Test Certificate (P).

*As seen in image on page 2.