

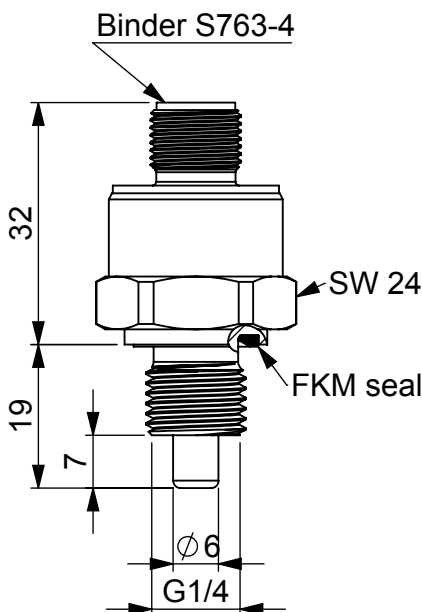
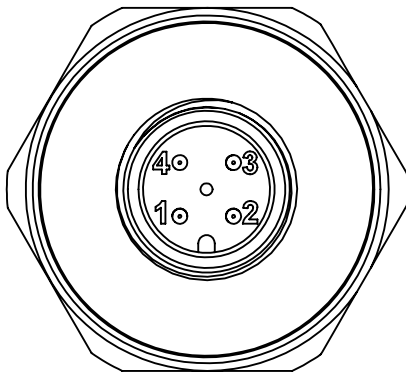


HTT-C compact temperature sensor

Compact and economic temperature sensor for OEM or industrial testing of temperatures from -50 to +100°C.

Provides industry standard M12x1 electrical connection with 2 wire 4-20mA signal output.

Easy to fit G1/4" BSP thread and short probe allows for easy fitting to most systems.



Parameter	Min	Typ	Max	Unit	Remark
Temperature range	-50		100	°C	1
Sensor element		PT100, class B			
Span		16		mA	2
Output at 100°C		20		mA	2
Output at -50°C		4		mA	2
Total error at RT			1	%FS	
Total error at FS			2	%FS	
Max. operating pressure		static	400	bar	
Supply voltage	10		32	VDC	3
Supply current		<22		mA	
Recommended load resistor			(V _S -10V)/20mA	kΩ	
Isolation resistance	100			MΩ	4
Media temperature	-50		100	°C	
Operating temperature	-50		125	°C	
Storage temperature	-50		125	°C	
Weight			ca. 60	g	
Mounting direction			no restriction		5

Remarks:

1. All parameter guaranteed for specified conditions.
2. Output is calibrated at min. and max. temperature.
3. Reverse polarity protected.
4. Measured between case and pins (VDC 50V for one minute).
5. Mounting force max. 25 Nm.

- Wetted components stainless steel.
- IP67.
- Calibrated using mixed signal ASSP, no potentiometer, no laser trimming.
- Pressure port - G1/4" A Form E, DIN 1179-2
- Electrical Assignment: Binder M12x1 S763-4, A-coded
Pin1 = +VDC, Pin2 = nc, Pin3 = -VDC, Pin4 = nc