

## HySense PR100 / PR110 Mobile Pressure Sensor



The HySense PR100 / PR110 (formerly known as HT-PD) is our most popular pressure sensor for mobile hydraulic testing applications. Also popular in stationary industrial applications, it is available from -1 up to 1000 bar and comes with a 5 or 6 (ISDS) pin connection for quick secure connection and disconnection.

- Our most popular test sensor
- Designed for mobile test use
- For all Hydrotechnik measuring instruments
- Rapid response time
- High pressure models up to 5000 bar on request

### Features

Measuring principle	piezo-resistive (poly-cristalline silicon thin film structure on high-grade steel membrane)
Pressure type	relative pressure
Output signal	4...20 mA, 0...20mA, 0...10V, 0.2...1.6 kHz
Electrical meas. connector	5 or 6 (ISDS) pole device connector, M16 x 0.75
Mechanical connection	ISO 228 – G ¼ A
Sealing material	profile seal ring acc. to DIN 3869, FKM
Protection type (EN 60529 / IEC 529)	IP 67 (plugged)
Material casing / membrane	non-corrosive high-grade steel
Weight	~ 85 g

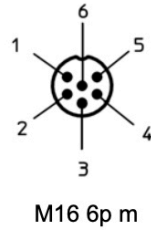
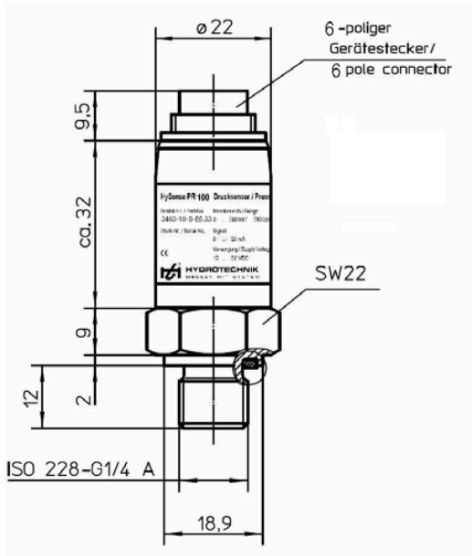
### Technical data

Overload range	1.5 times nominal pressure
Burst pressure	3 times nominal pressure
Mounting orientation	arbitrary
Supply voltage $U_b$	10 ... 30 VDC (12...30Vdc for 0-10V output)
Current consumption	6.5 mA
Over-voltage protection	32 VDC
Response time	1 ms (10 ... 90 %)
Error limit (of final value) $l$	$\pm 0.25\%$ (with ISDS, linearised) / $\pm 0.5\%$ (without ISDS)
Medium temperature	-40 ... +125 °C
Environmental temperature	-40 ... +105 °C
Storage temperature	-40 ... +125 °C

### Options & Ordering Information

Suited for	Measuring range	0...10V output	ISDS 4...20mA output	2 wire 4...20mA output
All Hydrotechnik measuring instruments & standard industrial instrumentation.	-1 ... 6 bar	3403-32-C3.39	3403-32-S-E5.37	3403-32-C3.37
	0 ... 60 bar	3403-21-C3.39	3403-21-S-E5.37	3403-21-C3.37
	0 ... 250 bar	3403-17-C3.39	3403-17-S-E5.37	3403-17-C3.37
	0 ... 400 bar	3403-15-C3.39	3403-15-S-E5.37	3403-15-C3.37
	0 ... 600 bar	3403-18-C3.39	3403-18-S-E5.37	3403-18-C3.37
	0 ... 1000 bar	3403-29-C3.39	3403-29-S-E5.37	3403-29-C3.37
<i>Other pressure ranges available on request...</i>	Measuring range		3 wire 0...20mA output	0.2...1.6kHz frequency output
	0 ... 60 bar		3403-21-C3.33	3403-21-C3.41
	0 ... 250 bar		3403-17-C3.33	3403-17-C3.41
	0 ... 400 bar		3403-15-C3.33	3403-15-C3.41
	0 ... 600 bar		3403-18-C3.33	3403-18-C3.41

## PR100 Assembly Drawing & Wiring

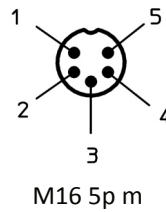
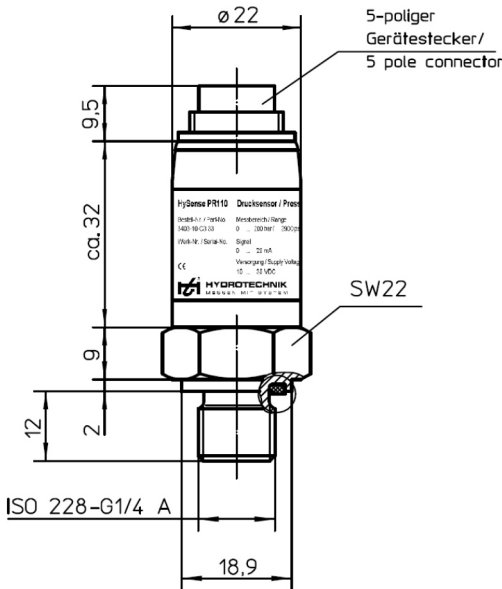


### ISDS 4...20 mA

Signal+	1
GND Ub / Signal	2
+Ub	3
NC	4
NC	5
ISDS <sup>1</sup>	6

<sup>1</sup> red label on outer diameter of device plug.  
suitable for Hydrotechnik measuring instruments

## PR110 Assembly Drawing & Wiring



### 0...20 mA

Signal+	1
GND Ub / Signal	2
+Ub	3
NC	4
NC	5

### 4...20 mA

Signal+	1
NC	2
+Ub	3
NC	4
NC	5

### 0...10 VDC

Signal+	1
GND Ub / Signal	2
+Ub	3
Signal+	4
NC	5

### 0.2...1.6 kHz \*

F-Signal	1
GND Ub / Signal	2
+Ub	3
NC	4
NC	5

\* Enables pressure measurement in frequency channels of MultiSystem 4010, 5060, 5070 & 8050 instruments