

HT-CBEK series Compression Cell 500kg to 20,000kg

- Low height
- 4-20mA output
- Stainless steel
- Integral load button
- Sealed to IP68
- Welded cover

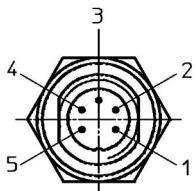
4-20mA sensor data

Electrical and Environmental	Min	Typ	Max	Units (Notes)
Power Supply	7.5	24	30	V DC (note 1)
Operating Current	4	-	20	mA (note 2)
Operating Temperature Range	-40	-	85	°C
Storage temperature Range	-40	-	°C	
Reverse Polarity Protection	-		-	
Measurement	Min	Typ	Max	Units (notes)
Bridge Excitation	1.05	1.11	1.16	V (note 4)
Bridge Resistance	350	1000	5000	Ohms (note 5)
Bridge Sensitivity	0.5	2.5	55	mV/V (notes 6)
Output voltage range	4	-	20	mA
Output Load	-	-	800	Ohms (note 7)
Band Width	dc	-	1000	Hz
Zero Adjustment	-	±2	-	%FR (note 3)
Span Adjustment	-	±8	-	%FR
Linearity	-	0.02	-	%FR
Zero Temp Stability	-	0.001	0.005	±%FR/°C
Span Temp Stability	-	0.007	0.014	±%FR/°C

mV/V sensor data

Measuring ranges	0.5,1,2,5,10,20	tonne
Full Load Output	2.0 (±0.25%)	mV/V
Zero Load Output	<±2.0	%
Excitation (Max)	10 (15)	V
Accuracy	<0.25	%
Repeatability	<0.1	%
Input Resistance	750 (±20)	Ω
Output Resistance	700 (±2)	Ω
Compensated Temp. Range	-10 to +40	°C
Operating Temp. Range	-20 to +60	°C
Temp. Coefficient on Zero	<0.005	% Capacity/°C
Temp Coefficient on Span	<0.005	% Capacity/°C
Safe Overload	150	%
Insulation	>500 @100Vdc	MΩ
Environmental Protection	IP68	
Cable Length	4	M

Specifications subject to change without notice



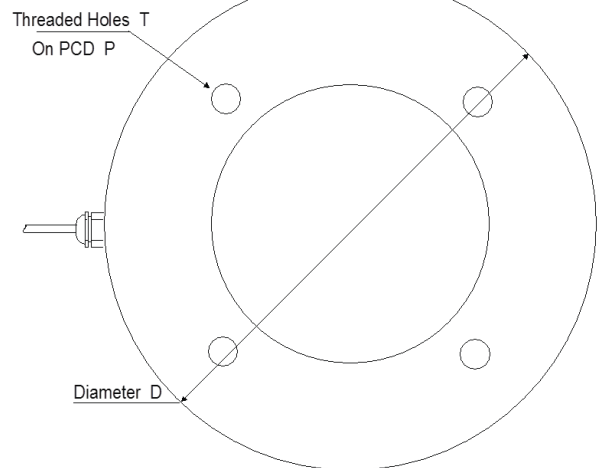
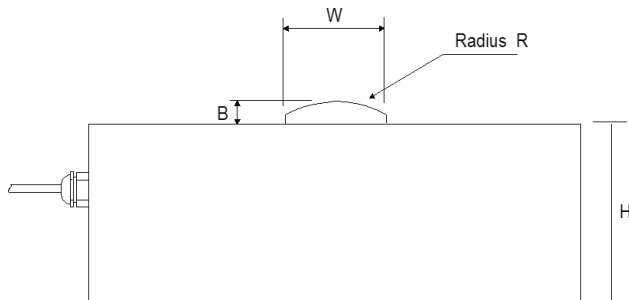
Pin wiring (2 wire)

1. -Ub / Signal-
2. free
3. +Ub / Signal+
4. free
5. free

Dimensions

Capacity (t)	H	B	W	R	D	T	P
0.5, 1	21	4	10	50	59	M3x7	42
2, 5, 10, 20	35	5	20	150	98	M6x18	72

All dimensions in mm



Optional Atex approved versions available.

LPCC
ATEX / IECEx Approved to Ex ia IIC T6
Ex tD A20 IP68 T85C



Part Numbering

HT-CBEK-xx-420 Replace **xx** with tonne measuring range required e.g 100kN measuring range = 10t
Part number required = **HT-CBEK-10-420**