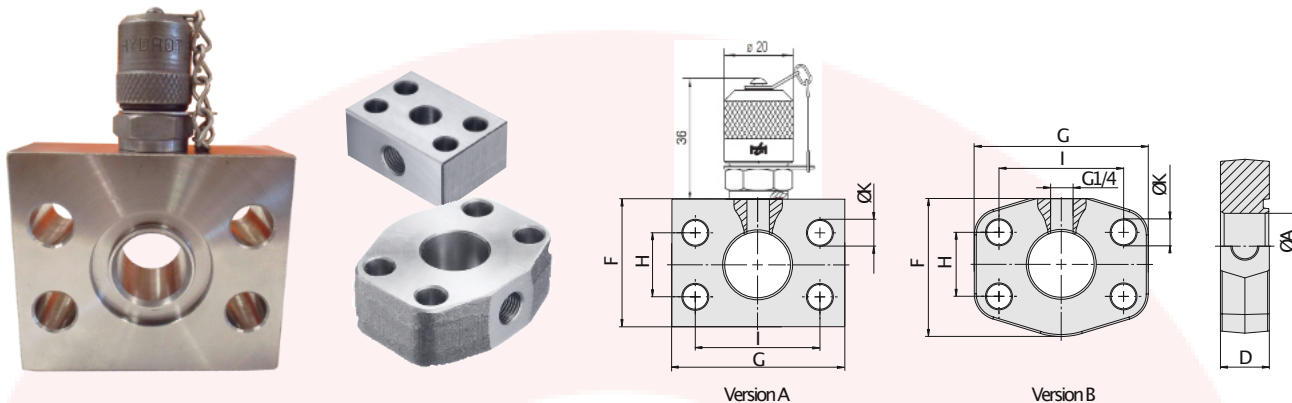


# Minimess® SAE flange Sandwich plates

SAE Sandwich Plate (3000 or 6000 psi rated) with Minimess® 1620 test point. Install easily to allow for safe pressure measurement or sampling. For permanent or temporary installation in your hydraulic system.



## 3000 PSI Standard Pressure Series (based on ISO 6162-1:2002)

Nominal Size		PN* (bar / psi)		Dimensions (mm / in)							Version	Weight (kg / lbs) Ca. per 100	Ordering Codes
DN	(in)	8.8	10.9 (MH)	ØA	D	F	G	H	I	ØK			
13	1/2	350	350	12	24	40	55	17,5	38,1	8,7	A	30,8	SAE-3-08-1620
		5075	5075	.47	.94	1.57	2.17	.69	1.50	.34		67.76	
19	3/4	350	350	19	28	50	65	22,3	47,6	10,5	A	52,3	SAE-3-12-1620
		5075	5075	.75	1.10	1.97	2.56	.88	1.87	.41		115.06	
25	1	250	315	24	25	60	70,6	26,2	52,4	10,5	B	51,2	SAE-3-16-1620
		3625	4568	.94	.98	2.36	2.78	1.03	2.06	.41		112.64	
32	1-1/4	200	250	31	23	68	82	30,2	58,7	11,5	B	56,4	SAE-3-20-1620
		2900	3625	1.22	.91	2.68	3.23	1.19	2.31	.45		124.08	
38	1-1/2	200	200	38	24	79	96	35,7	69,9	13,5	B	86,2	SAE-3-24-1620
		2900	2900	1.50	.94	3.11	3.78	1.41	2.75	.53		189.64	
51	2	160	200	50	24	88	102	42,9	77,8	13,5	B	93,2	SAE-3-32-1620
		2320	2900	1.97	.94	3.46	4.02	1.69	3.06	.53		205.04	

## 6000 PSI High Pressure Series (based on ISO 6162-2:2002)

Nominal Size		PN* (bar / psi)		Dimensions (mm / in)							Version	Weight (kg / lbs) Ca. per 100	Ordering Codes
DN	(in)	8.8	10.9 (MH)	ØA	D	F	G	H	I	ØK			
13	1/2	350	420	12	24	40	55	18,2	40,5	8,7	A	29,0	SAE-6-08-1620
		5075	6090	.47	.94	1.57	2.17	.72	1.59	.34		63.80	
19	3/4	350	420	19	25	60	70,6	23,8	50,8	10,5	A	53,1	SAE-6-12-1620
		5075	6090	.75	.98	2.36	2.78	.94	2.00	.41		116.82	
25	1	350	420	25	23	68	82	27,8	57,2	13	B	60,3	SAE-6-16-1620
		5075	6090	.98	.91	2.68	3.23	1.09	2.25	.51		132.66	
32	1-1/4	350	420	31	25	79	95	31,8	66,6	13,5	B	94,2	SAE-6-20-1620
		5075	6090	1.22	.98	3.11	3.74	1.25	2.62	.53		207.24	
32	1-1/4	350	420	31	25	79	95	31,8	66,6	15	B	89,2	SAE-6-20-M14-1620
		5075	6090	1.22	.98	3.11	3.74	1.25	2.62	.59		196.24	
38	1-1/2	350	420	38	28	88	108	36,5	79,3	17	B	147,3	SAE-6-24-1620
		5075	6090	1.50	1.10	3.46	4.25	1.44	3.12	.67		324.06	
51	2	350	420	50	33	118	137	44,5	96,8	21	B	268,6	SAE-6-32-1620
		5075	6090	1.97	1.30	4.65	5.39	1.75	3.81	.83		590.92	

## ORDERING EXAMPLE & MATERIALS

AE Sandwich Plate with Minimess® 1620 test point made of Carbon Steel

**SAE-X-X-1620**

SAE Sandwich Plate with Minimess® 1620 test point made of 316 Stainless Steel (on request)

**SAE-X-X-1620-SS**

\* The maximum working pressure PN (bar/PSI) applies only to the flange itself and depends on the bolts used (Grade 8.8 /10.9).