

Fully configurable digital pressure switch with OLED display showing numerical or graphical pressure with Min/max, 2 switches, and 4...20mA output

## HTTE-DPS Digital pressure switch



- Configurable dual-channel digital switch with status lights
- OLED screen with wide viewing angle range and high resolution
- Numerical & Graphical display of pressure with min/max values
- 304 stainless steel shell IP65 structural design
- Multiple output modes optional: 4...20mA, PNP/NPN switchable
- Rotating display section for custom orientation

An extremely configurable solution for many pressure switching requirements, including those in harsh environments, with easy setup and configuration, dual switch status output, live pressure output and selectable pressure units displayed on-screen.

**DISCOVER MORE AT**  
**[HYDROTECHNIK.CO.UK/DPS](https://www.hydrotechnik.co.uk/dps)**

**Automated production lines**

**Automatic control equipment**

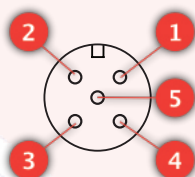
**Machine tool drive monitoring**

## TECHNICAL DATA

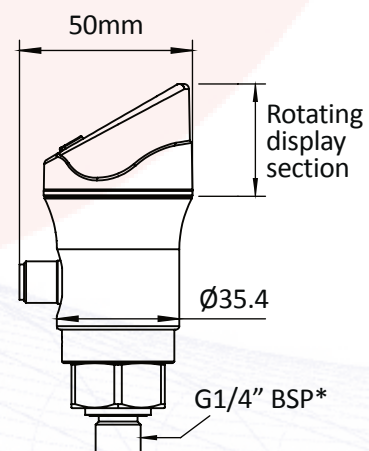
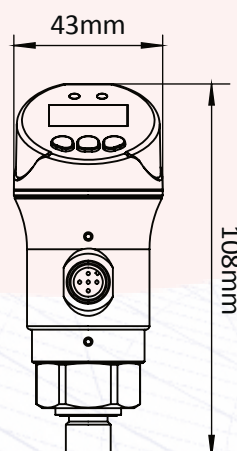
Measuring Ranges (bar)	0...10, 0...25, 0...10, 0...25, 0...400, 0...600
Accuracy Level	±0.5%FS
Overload Pressure	<10MPa 200%, >10MPa 150%
Destroying Pressure	≤10MPa 300%, >10MPa 200%
Screen Display Mode	OLED
Screen Resolution	128x64
Displayed pressure units	Bar, mbar, MPA, kPA, PSI or kgf
Supply Voltage	12...28V DC
Output Signal	Output 1: NPN or PNP (switchable) Output 2: NPN or PNP (switchable) Pressure: 4...20mA
Load Current	<100mA
Operating Temperature	-20...+65°C
Electrical Connections	M12 plug
Electrical Protection	Electrical Protection Anti-reverse connection protection, anti-electromagnetic interference
Threaded Port	G1/4" BSP (Other options available on request)
Interface Material	304 stainless steel
Diaphragm Material	316L stainless steel
Protection Level	IP65
Accessories	M12 standard 5-core 12-pin cable (1 meter)



## PRODUCT DIMENSIONS AND M12 PLUG PINOUT



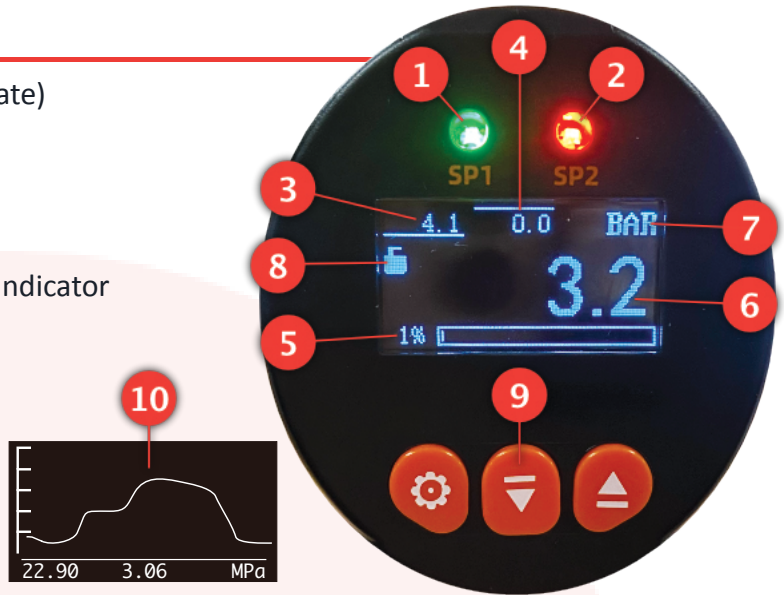
Pin	Function	Colour
1	Power +	Brown
2	Switch SP1	White
3	Power -	Blue
4	Switch SP2	Black
5	4...20mA	Grey



\*Other connections available on request

## INTERFACE AND DISPLAY

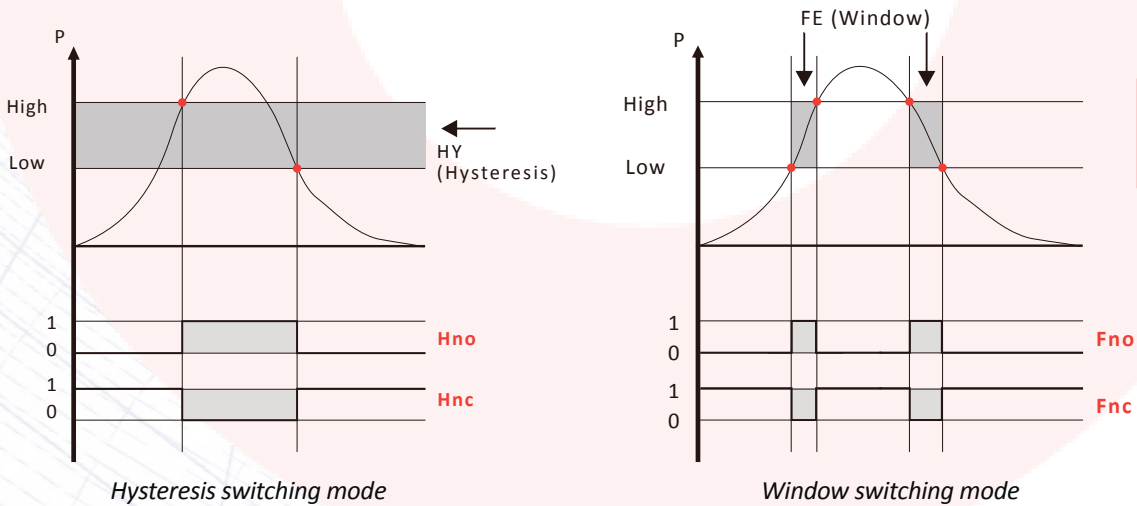
- 1 Switch 1 status (green signifies un-switched state)
- 2 Switch 2 status (red signifies switched state)
- 3 Maximum historic pressure
- 4 Minimum historic pressure
- 5 Current pressure as a % of full-scale, with bar indicator
- 6 Current pressure in selected units
- 7 Current units (Bar, mbar, MPA, kPA, PSI or kgf)
- 8 Interface lock status (currently unlocked)
- 9 Settings, value up and value down buttons
- 10 Built-in graph view shows pressure over time



## SWITCHING MODES

Four switching modes are available for, selectable separately for each of the two switches.

- **Hno**: Hysteresis, normally open. Switch closes when pressure increases to High value, then opens when it drops to Low value.
- **Hnc**: Hysteresis, normally closed. Switch opens when pressure increases to High value, then closes when it drops to Low value.
- **Fno**: Window, normally open. Switch is closed between Low and High values, and open otherwise.
- **Fnc**: Window, normally closed. Switch is open between Low and High values, and closed otherwise.



## ORDERING CODE

**HTTE-DPS-XXX**

- Replace **XXX** with the code for the required pressure range
- 010 = 0...10 bar
  - 025 = 0...25 bar
  - 100 = 0...100 bar
  - 250 = 0...250 bar
  - 400 = 0...400 bar
  - 600 = 0...600 bar

For example, use **HTTE-DPS-250** to order a 0...250 bar HTTE-DPS digital pressure switch.