

Watchlog Bluetooth compact pressure sensor including iOS and Android apps with datalogging

WLB-PT pressure sensor

- Small size, max height 76mm
- 1s transmission rate
- Bluetooth transmission greater than 20m
- Monitor & record pressures up to 700 bar using the Watchlog iOS & Android apps
- CR2032 battery powered
- Typical battery life 12 months
- Secure screw cap for quick & easy battery changing
- $\pm 0.5\%FS$ accuracy
- Low cost, cable free pressure monitoring solution



Low-cost, cable-free pressure sensor with free monitoring and datalogging app available in the iOS App Store and Android Google Play store. An extremely fast and easy way to add live pressure monitoring and datalogging to your system.

DISCOVER MORE AT
[HYDROTECHNIK.CO.UK/BLUETOOTH](https://www.hydrotechnik.co.uk/bluetooth)

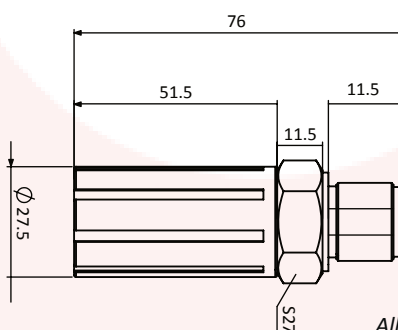
TECHNICAL DATA

Pressure ranges	Negative/compound pressure	Vacuum to 16 bar
	Low pressure (on request)	0...0.1, 0...0.4, 0...0.6 bar
	Medium pressure	0...60, 0...250 bar
	High pressure	0...400, 0...700 bar
Transmission rate	1s	
Overload capacity	200% FS	
Dimensions	76 x 28 mm	
Accuracy	±0.5%FS	
Long-term stability	Typical ±0.25% FS/year	
Operating temperature	-20...65°C	
Ambient temperature	-40...80°C	
Measuring medium	Oil, water, gas and other stainless steel corrosion free medium	
Pressure connection	G1/4" BSP (alternative threads on request)	
Connection material	Sensor body 304L, wetted parts 316L	
Shell material	PA 66	
Power supply voltage	CR2032 battery fitted (12 months typical battery life)	
Protection level	IP65	
Weight	106g without CR2032 battery fitted	



Downloadable iOS and Android apps for pressure display and logging

DIMENSIONS



All dimensions in mm, +/- 0.5mm

ORDERING CODES

WLB-PT-**XXXX**

Replace **XXXX** with the required pressure range
V016 = -1...16bar
0060 = 0...60bar
0250 = 0...250bar
0400 = 0...400bar
0700 = 0...700bar

ORDERING EXAMPLE

WLB-PT- **0250**

Watchlog WLB-PT Bluetooth pressure sensor with 0...250 bar pressure range.

Android users, please note that the live view is fully functional, and recording/exporting data in the app will be available soon. The current iOS version supports recording/exporting.