

Watchlog Bluetooth digital pressure gauges including iOS and Android apps with datalogging

WLB-DPG pressure gauge



- The dial can be rotated 330°
- Easy operation
- Large LCD screen
- Multiple selectable pressure units
- Zero reset and backlight
- Bluetooth connection to iOS and Android apps with datalogging
- Low power consumption design, 2x AA batteries
- 12 months battery life
- Ergonomic & robust design, with rubber shroud and easy operation

Downloadable iOS and Android apps for pressure display and logging

DISCOVER MORE AT
HYDROTECHNIK.CO.UK/WLB-DPG

Calibration
Equipment Matching
Portable Pressure Measurement

DESCRIPTION

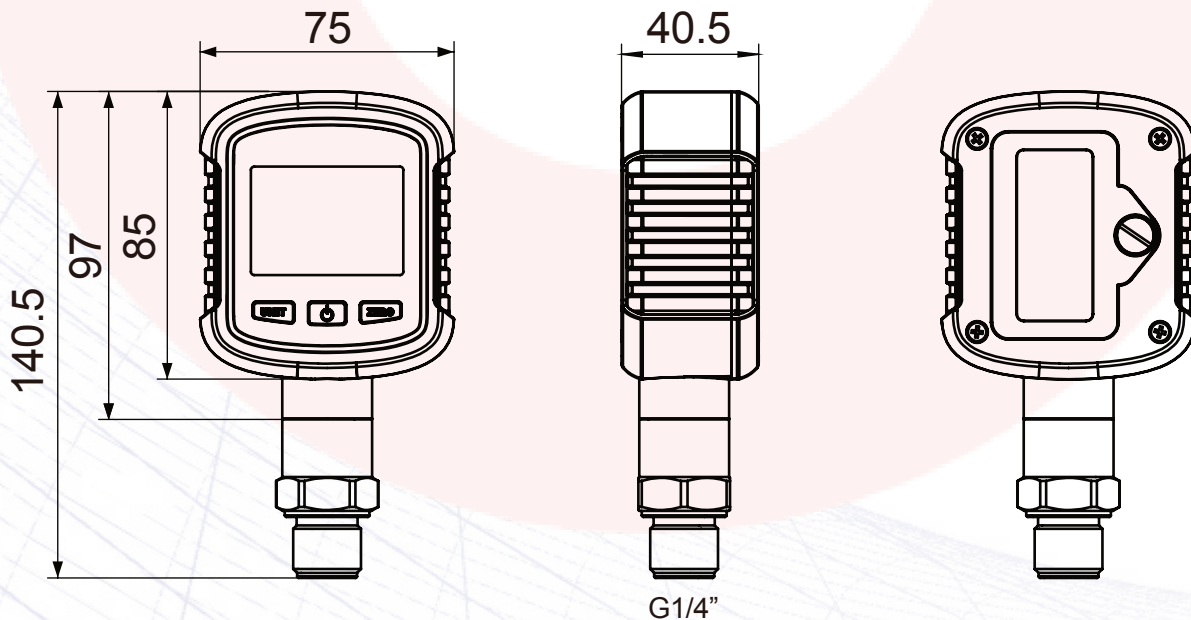
WLB-DPG Watchlog bluetooth digital pressure gauges incorporate a high precision pressure sensor with an accurate LCD display showing measured pressure in real time and can transmit readings up to 100ms via Bluetooth.

This digital pressure gauge is equipped with a large size LCD liquid crystal display, which has multiple functions such as zero reset, backlight, power on and off, pressure unit selection & low voltage alarms. Easy to operate and install, the display can be rotated 330° which is convenient for operators to read from different angles. The unit is supplied with a protective rubber shroud has good shock resistance and can measure gas, liquid, oil and other media that are not corrosive to stainless steel. This WLPB-DPG supports iOS and Android Bluetooth apps with configuration parameters that include display of pressure values, acquisition rate modification, zero reset operation, start/stop logging & export of CSV test files.

Watchlog Bluetooth digital pressure gauges are suitable for portable pressure measurement, equipment matching, calibration equipment and other pressure measurement fields.



DIMENSIONS



*G1/4" B (manometer style), G1/2", G1/2" B,
1/4" NPT & 1/2" NPT available on request*

Units in mm, +/- 0.5mm

TECHNICAL SPECIFICATIONS

Pressure ranges	Negative/compound pressure	Vacuum to 1 & 16 bar
	Low pressure (on request)	0...0.1, 0.4 & 0.6 bar
	Medium pressure	0...60, 160 & 250 bar
	High Pressure	0...400, 700 & 1000 bar
Overload capacity	200% of FS for all ranges up to 400 bar 150% of FS for 700 bar range 120% of FS for 1000 bar range	
Backlight colour	White	
Dimensions	143.5 x 75 x 40.5mm	
Accuracy	0.5%FS 0.2%FS (on request)	
Long-term stability	Typical ±0.3% FS/year	
Operating temperature	-20...65°C	
Electrical protection	Anti-electromagnetic interference design	
Measuring medium	Oil, water, gas and other stainless steel corrosion free medium	
Pressure connection	G1/4" BSP (alternative threads on request)	
Connection material	Sensor Body 304L, Measuring Cell 316L	
Shell material	TPE+ABS	
Product features	Turn on/off, backlight, clear, zero unit, switch extreme value, record, Bluetooth connection	
Power supply voltage	3V (2x AA batteries)	
Power display	Four sections display	
Dial	Rotatable to 330 degrees	
Pressure unit	MPa, bar, kgf, mH2O, PSI, kPa, mmHg, mBAR, mmH2O, Pa, inWC	
Protection level	IP54	
Weight	243g without 2 x AA batteries fitted	



ORDERING CODE

WLB - DPG - **XXXX**

Replace **XXXX** with the required pressure range

- V001** = -1...1 bar
- V016** = -1...16 bar
- 0060** = 0...60 bar
- 0160** = 0...160 bar
- 0250** = 0...250 bar
- 0400** = 0...400 bar
- 0700** = 0...700 bar
- 1000** = 0...1000 bar

ORDERING EXAMPLE

WLB-DPG-**0250**

Watchlog WLB-DPG digital pressure gauge with 0...250 bar pressure range.

Downloadable iOS and Android apps for pressure display and logging