

Cost-effective pressure test kit with one or two digital gauges with built-in datalogging

DDPG series Digital Datalogging Pressure Gauge & Minimesse® Test Kit

- Finger tight connection
- Ranges from -1 to 1000 bar
- Connect & disconnect under full system pressure
- Test under pressure using leak-free Minimesse connections up to 630 bar
- Compatible with the Watchlog Bluetooth mobile app
- Back-lit display with bar graph & min/max
- 3 x 1.5Vdc AAA battery supply
- Compact and Rugged IP67
- 270° Rotatable Display



The ideal low cost solution for digital pressure testing. With display of pressure and pressure peaks, digital pressure gauges offer excellent accuracy and peak capture which a standard analogue gauge simply can not provide. Minimesse® test points and in-line tees offer excellent system access versatility.

DISCOVER MORE AT
HYDROTECHNIK.CO.UK/DIGITAL-KIT

Automotive

Plant Engineering

Industrial machinery

Agricultural machinery

Hydraulics & Pneumatics



The DDPG digital gauges are supplied in each kit with Minimesse 1620 male connections for quick, tool free fitting to included Minimesse test hoses. Minimesse female adaptors are also included for fitting the gauges to male 1620 test points.

Watchlog Bluetooth App

The WLB-DDPG digital datalogging gauge is compatible with the Watchlog Bluetooth display and datalogging app for iOS and Android.

Download for free on to your mobile device from the app store.



KIT CONTENTS

- 1 or 2x WLB-DDPG series digital pressure gauges with 1620 male connection, selectable up to 1000 bar with internal datalogging and bluetooth app datalogging capabilities.*
- 2 x SNA series Minimesse® Male/Swivel Female 1620 inline test point adaptors. 3/8" & 1/2" BSP.
- 2 x Minimesse® 1620 test points - G1/4" BSP and M10x1 male thread.
- 1 x G1/4" BSP gauge female to Minimesse® 1620 female gauge adaptor.
- 1 or 2 x 630 bar rated Minimesse® microbore pressure test hose, 1.5 meters long.
- Additional 3/8" & 1/2" BSP male threaded adaptors & seals.

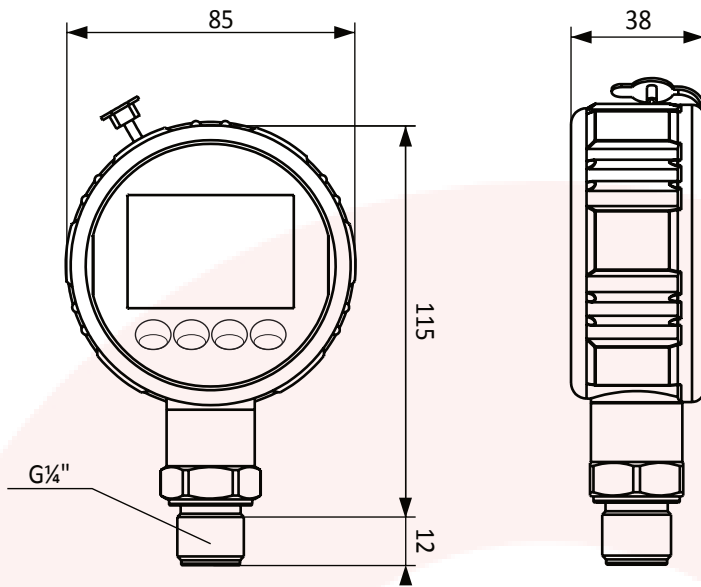
*See the DDPG gauge datasheet at hydrotechnik.co.uk/ddpg for further information.

DEVICE & OPERATION OVERVIEW

- 1 Bar graph display with maximum pointer function, 33 segments
- 2 Actual pressure display, digit height 15 mm
- 3 Unit display / recording series display
- 4 Data logger display, flashes during recording
- 5 Battery status display, 5 segments
- 6 Additional display MIN/MAX value, full scale pressure value or temperature (°C or °F) - digit height 8mm
- 7 USB-C connection to PC/laptop for data transfer and software updates
- 8 Power, backlight, settings, units, zero point correction, datalogging controls



TECHNICAL DRAWING

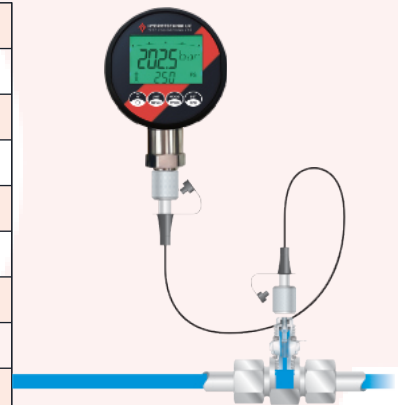


All dimensions in mm, +/-1 mm



TECHNICAL DATA

	Measuring Range	Resolution
Measuring Ranges	-1...16 bar	10 mbar
	0...60 bar	10 mbar
	0...250 bar	100 mbar
	0...400 bar	100 mbar
	0...700 bar	100 mbar
	0...1000 bar	100 mbar
Displayed units	bar/mbar, kPa/MPa, PSI, kg/cm2, mH2O, inH2O, ATM	
Gauge Accuracy	0.2% (0.1% and 0.05% accuracies available on request)	



Please download the WLB-DDPG datasheet and manual from hydrotechnik.co.uk/ddpg for full specifications and information.

ORDERING CODE

3101-81-XX.50

Replace each X with the code for the required pressure gauge(s):

- 0** = No gauge
- 1** = -1...16 bar
- 4** = 0...60 bar
- 7** = 0...250 bar
- 8** = 0...400 bar
- 9** = 0...700 bar
- A** = 0...1000 bar

Watchlog CSV Visualizer

The CSV files generated by the digital datalogging gauge are fully compatible with our Watchlog CSV drag-and-drop CSV graphing, analyser, and annotation software for Windows.



Download from hydrotechnik.co.uk/csv

ORDERING EXAMPLES

3101-81-09.50 Single gauge kit with 1x 0...700 bar digital pressure gauge.

3101-81-7A.50 Double gauge kit with 1x 0...250 bar & 1x 0...1000 bar digital pressure gauges.