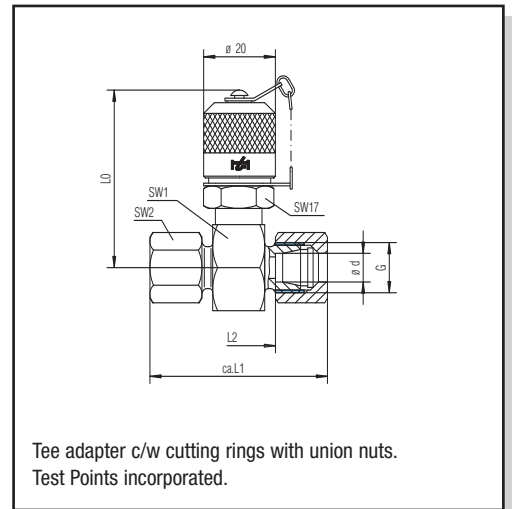
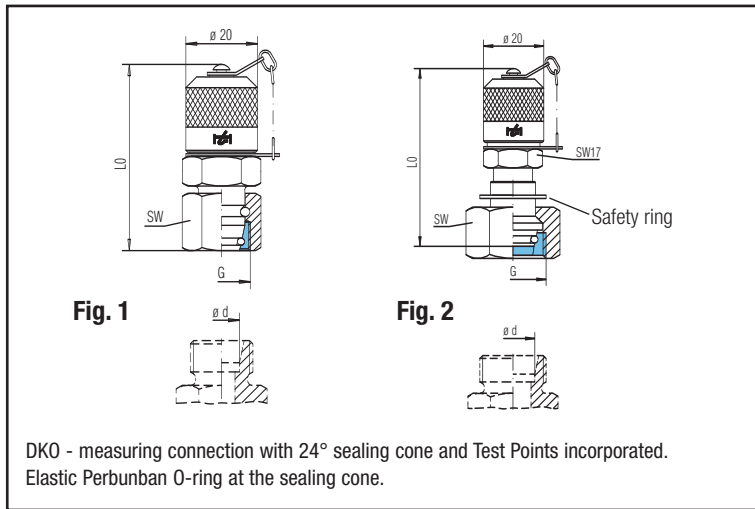


MINIMESS®-1620 Test Points

Metric DKO, Tee Adaptors - 1620

For solder free screw-in pipe connections according to DIN 2353; free-cutting steel 1.0718; sealing NBR



Series Ø d	p max	Thread G
L 6	31,5 MPa	M 12 x 1,5
L 8		M 14 x 1,5
L 10		M 16 x 1,5
L 12		M 18 x 1,5
L 15		M 22 x 1,5
L 18		M 26 x 1,5
L 22	16 MPa	M 30 x 2
L 28		M 36 x 2
L 35		M 45 x 2
L 42		M 52 x 2

Fig.	L ₀	SW	Part-number
1	52	14	2103-93-06.00
	52	17	2103-93-08.00
	52	19	2103-93-10.00
	52	22	2103-93-12.00
	52	27	2103-93-15.00
	52	32	2103-93-18.00
2	60	36	2103-40-22.00
	61	41	2103-40-28.00
	63	50	2103-40-35.00
	63	60	2103-40-42.00

L ₁	L ₂	L ₀	SW ₁	SW ₂	Part-number
50,5	20,5	49,5	24	14	2103-11-06.00
50,5	20,5	49,5	24	17	2103-11-08.00
52,5	22,5	49,5	24	19	2103-11-10.00
52,5	22,5	49,5	24	22	2103-11-12.00
54,5	24,5	52,5	30	27	2103-11-15.00
56,5	23,5	53,5	32	32	2103-11-18.00
60,5	27,5	55,5	36	36	2103-11-22.00
60,5	27,5	58	41	41	2103-11-28.00
68,5	25,5	60,5	46	50	2103-11-35.00
70,5	24,5	65	55	60	2103-11-42.00

Series Ø d	p max	Thread G
S 6	63 MPa	M 14 x 1,5
S 8		M 16 x 1,5
S 10		M 18 x 1,5
S 12		M 20 x 1,5
S 14	M 22 x 1,5	40 MPa
S 16	M 24 x 1,5	
S 20	M 30 x 2	
S 25	M 36 x 2	
S 30	M 42 x 2	
S 38	31,5 MPa	M 52 x 2

Fig.	L ₀	SW	Part-number	
1	52	17	2103-94-06.00	
	52	19	2103-94-08.00	
	52	22	2103-94-10.00	
	52	24	2103-94-12.00	
2	63	27	2103-41-14.00	
1	52	30	2103-94-16.00	
	63	36	2103-41-20.00	
	2	64,5	46	2103-41-25.00
		66	50	2103-41-30.00
		69	60	2103-41-38.00

L ₁	L ₂	L ₀	SW ₁	SW ₂	Part-number
54,5	24,5	49,5	24	17	2103-12-06.00
54,5	24,5	49,5	24	19	2103-12-08.00
56,5	23,5	49,5	24	22	2103-12-10.00
56,5	23,5	49,5	24	24	2103-12-12.00
62,5	26,5	51	27	27	2103-12-14.00
62,5	25,5	52,5	30	30	2103-12-16.00
68,5	25,5	55,5	36	36	2103-12-20.00
74,5	26,5	58	41	46	2103-12-25.00
80,5	27,5	60,5	46	50	2103-12-30.00
91	29	65	55	60	2103-12-38.00

Options

All sealing made of Viton with metal cap (when ordering, exchange end digits from 00 to 10)	10
With mounted plastic cap (when ordering, exchange end digits from 00 to 90)	90
All sealing made of Viton with plastic cap (when ordering, exchange end digits from 00 to 95)	95