

CANbus Digital Output Pressure Transducers & Transmitters

HT-SMC Series

- High accuracy & reliability
- Ranges 0.2 bar to 5,000 bar
- CANopen 2.0A/2.0B interface
- Wide choice of connectors
- Temperature -40°C + 125°C
- Compact and rugged design



CANopen

SAE J1939

Plant Engineering

Industrial machinery

Agricultural machinery

Hydraulics and Pneumatics

Automotive

For digital process control systems an integrated CANbus pressure measurement solution. This sensor features a CANopen interface (DIN ISO 11898) and CAN controller compliant with CANopen 2.0A or 2.0B protocol. SAE J1939 is also available. This high speed interface permits data sampling rates of up to 1 Mbit/sec.

CANbus Digital Output Pressure Transducers & Transmitters

HT-SMC Series

TECHNICAL SPECIFICATIONS

Standard pressure ranges & signal outputs

Measuring range *(bar)	0.2	1	1.6	2	2.5	4	6	10
Overload pressure	0.5	6	6	6	6	10	20	20
Burst pressure	1	9	9	9	9	15	30	30
Measuring range (bar)	16	20	25	40	60	100	160	200
Overload pressure	40	40	100	100	200	200	400	400
Burst pressure	60	60	150	150	300	300	600	600
Measuring range (bar)	250	400	600	1000	1600	2000	4000	5000
Overload pressure	750	750	840	1200	2400	2400	5000	6000
Burst pressure	1000	1000	1050	1500	3000	3000	6000	7000

*Gauge ranges shown - vacuum and absolute ranges available on request

Electrical	Standard	Option*
CANopen interface acc to DIN ISO 11898	CAN 2.0A	CAN 2.0B
Supply voltage	2<30 mA	2<30 mA

*CANopen interface SAE J1939 is also available upon request

- Media temperature range: -40°C to +125°C
- Compensated temperature range: -20°C to +85°C
- Ambient temperature range: -40°C to +105°C

Performance

- Accuracy: Non-linearity, hysteresis and non-repeatability at room temperature according to IEC 61298-2 (or BSFL/Best Fit Straight Line) Ranges up to 2000 bar: <0.5% FS range (<0.25% BFSL) Optional <0.25% FS range (<0.15% BFSL) Ranges above 2000 bar: <1.0% FS range (<0.5% BFSL)
- Temperature effects: Zero/Span typical thermal coefficients <0.15% FS range/ 10°C
- Total Error Band: 2% FS from room temperature to -40°C or +105°C
- Long term stability: <0.1% FS range/year
- Response time: <1 mS (from 10% to 90% FS range)
- Vibration resistance: 20g (according to IEC 68-2-6 and IEC 68-2-36)
- Shock resistance: 1000g (according to IEC to 68-2-32)

Physical

- Material: body - stainless steel pressure inlet port - stainless steel (stainless steel and silicon for absolute pressure ranges)
- Process connection: G 1/4 A, G 1/4 B, 1/4NPT, G1/2 B Other connections available on request
- Electrical connection: integral cable, M12 x 1 male socket Other connections available on request
- Weight: approximately 80-120g (dependent upon configuration)
- Ingress protection: IP65 (for connector versions with their mating plug fitted)

Options

- Improved accuracy <0.25% FS (<0.15% BFSL)
 - additional cable (per metre - specify length)
- For further options or customised products please contact us.

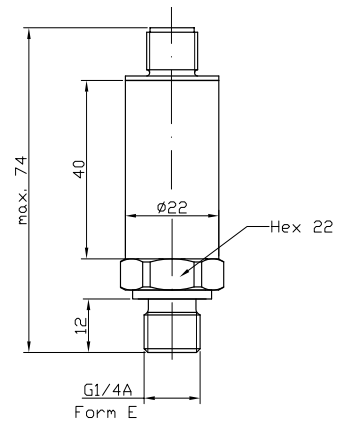
Related products

Hydrotechnik manufactures a wide range of sensors, test and measurement equipment.

Contact us for further information or visit www.hydrotechnik.co.uk

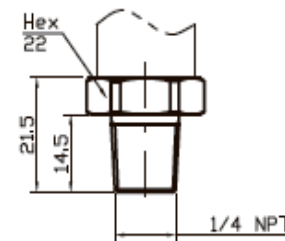
Continuing development can necessitate specification changes without notice

Dimensions

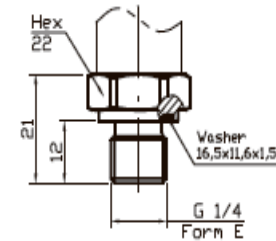


Mechanical Connections

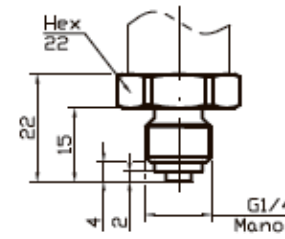
1/4 NPT



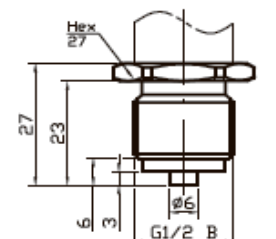
G 1/4 A; DIN 3852 Form E



G 1/4 B

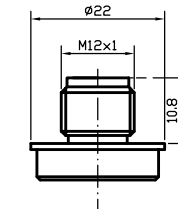


G 1/2 B



Electrical Connections

Male socket
M12x1 (S763)



HT-SMC Series ORDER CODES

Series	Output Signal	Pressure Range	Unit	Pressure Type	Process Connection	HEX	Electrical Connection	Extras
HT-SMC	60.0	0000400	MPa	(a)	G1/2B	27	BJD	O2C

CANopen 2.0A	60.0
Others	AAA

bar	BAR
kPa	KPA
MPa	MPA
PSI	PSI
kg/cm2	KGC
m WC	MWS
in WC	IWS
others	CCC

Absolute Pressure	(a)
Relative Pressure	(g)
Sealed Pressure	(sr)

G 1/8 A Shape A	G18A	22
G 1/4 A Shape A	G14A	22
G 1/4 A Shape E	G14E	22
G 1/4 B (Manom.)	G14B	22
G 1/2 B (Manom.)	G12B	27
G 1/2 A Shape E	G12E	27
1/8 NPT	I8NP	22
1/4 NPT	I4NP	22
7/16-20 UNF-2A	U98M	22
7/16-20 UNF-2A/C	U72C	22
7/16-20 UNF-2B	U72F	22
3/8-24 UNF-2A	U38M	22
3/8-24 UNF-2A/C	U38C	22
1/2-20 UNF-2A	U12M	22
M 8x1 Male	M08M	22
M 10x1 Shape A	M10A	22
M 12x1 Shape E	M12E	22
M 12x1 konical	M12C	22
M 12x1.5 Ct-Ring	M12S	22
M 14x1.5 Shape A	M14A	22
M 14x1.5 Shape E	M14E	22
M 14x1.5 ISO	M14O	22
M 16x1.5 Shape A	M16A	22
M 16x1.5 female	M16F	22
M 18x1.5 male	M18M	22
M 20x1.5 Manom	M20B	22
R 1/4 male	R14M	22
Others	DDDD	EE

LEMO EWB IS	LMS
IS9 Industrial Socket	IS9
Male Socket M 5 / S707	M05
Male Socket M 12 / S763	M12
Male Socket M 16 / S723	M16
Male Socket M 18 / S714	M18
Bajonet DIN 72585	BJD
2RMD	RMB
Deutsch 4-poles	D04
QUICK ON	QON
Flying Leads 1.0*	FLI
Cable Gland Plastic	CPI
Cable Steel 1.0*	KSI
Cable Plastic 1.0 *	KPI
Others	FFF

* e.g. with cable length 1 metre

-1 0	9000100		
-1....+1	9000900	0 ... 10	0001000
0 ... 0.2	0000020	0 ... 16	0001600
0 ... 1.0	0000100	0 ... 20	0002000
0 ... 1.6	0000160	0 ... 25	0002500
0 ... 2.0	0000200	0 ... 40	0004000
0 ... 2.5	0000250	0 ... 100	0010000
0 ... 4	0000400	0 ... 160	0016000
		0 ... 200	0020000
		0 ... 250	0025000
		0 ... 400	0040000
		0 ... 600	0060000
		0 ... 1000	0100000
		0 ... 1600	0160000
		0 ... 2000	0200000
		0 ... 4000	0400000
		0 ... 5000	0500000
		Others	BBB

Restrictor 0.6 mm	RO6
Restrictors others	RXX
Total Error other	FXX
Cleaned for Oxygen Use	O2C
Metal Cone	SCO
Schrader Opener 2.9	S29
Others (see below)	GGG