



HySense TE 300

Pressure line sensor for temperature measurement

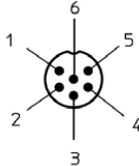
This sensor is qualified by some specific characteristics. It can be installed in any orientation and achieves highly accurate values by measuring in the fluid stream directly. It can be installed and dismantled easily by screwing it into a Minimes® 1620 series p/T test point, even at full system pressure.

TE

Technical Characteristics

Screw series	Minimes 1620 (p/T version coupling)
Measuring principle	Pt 100 (platinum measuring resistor acc. to DIN IEC 751, class B)
Measuring range	-50 ... +200 °C
Output signal	4 ... 20 mA with ISDS
Signal type	3 wire (ISDS 4-20mA) / 2 wire (std. 4-20mA)
Supply voltage U_b	10 ... 30 VDC
Overvoltage protection	32 VDC
Response Time	100ms
Non linearity	0.2% FS
Max Pressure	630 bar / 63 MPa
Environmental temperature	-40 ... +85 °C (related to electronics)
Storage temperature	-40 ... +85 °C
Electrical measuring connector	6 pole device connector, M16 x 0.75
Mechanical measuring connector	1620p/T (see next page)
Protection type	IP 67 when cable connected)
Material	1.4104
Suitable measuring cable	8824-S1-05.00 (5m length)

Pin assignment

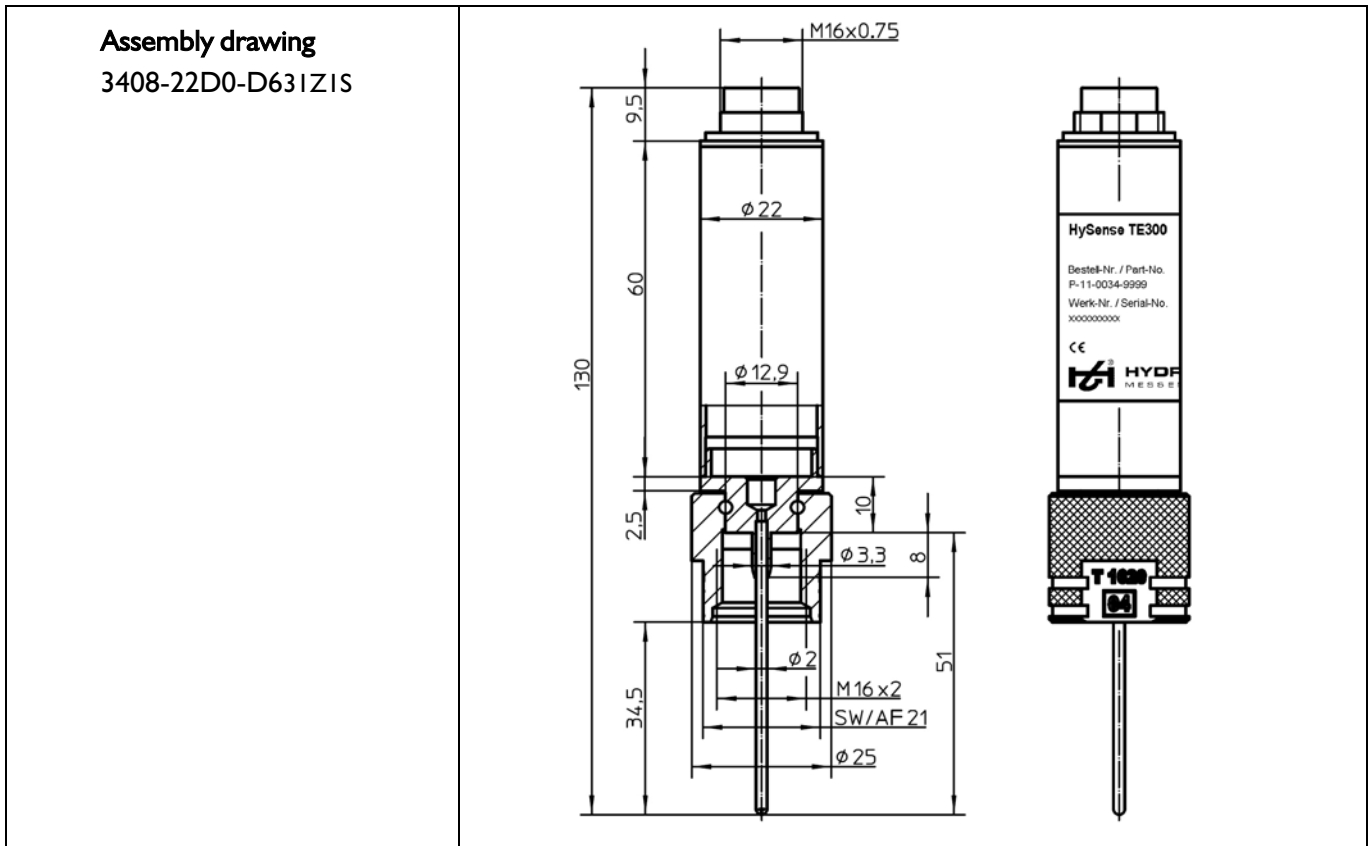
Pin assignment	4 ... 20 mA	
	Pin 1 = - U_b / signal -	Pin 6 = ISDS (sensor identification for use with Hydrotechnik measuring instruments)
	Pin 2 = free	
	Pin 3 = + U_b / signal +	
	Pin 4 = free	
	Pin 5 = free	

Output signal	Weight	Order number
	g	
4 ... 20 mA	170	3408-22D0-D631Z1S

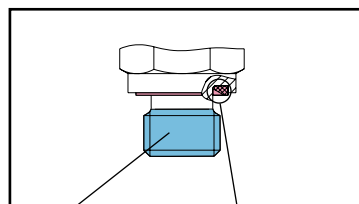
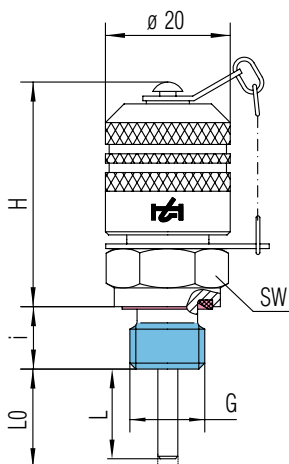
Dimensions see next page



HySense TE 300 Dimensions



1620 p/T (pressure & temperature) test points



Thread	Type of sealing	Torque	p max	H	i	L0	L	SW	Part number with NBR sealing
G	A	Nm	mm	mm	mm	mm	mm	mm	
ISO 228-G 1/4	Form F	40	630	36.5	10	16	14.5	19	2149-04-15.13
M 10 x 1	Form G	12	630	38	8.5	16	14.5	17	2149-04-19.13

L0 = max. immersion depth in coupled state, L = not coupled state

Option

For FKM (Viton) - exchange end digits from 13 to 53	53
For EPDM - exchange end digits from 13 to 43	43

Stainless Steel also available. Other materials, further options, sealing and screw-in threads on request. We reserve the right to carry out technical modifications.