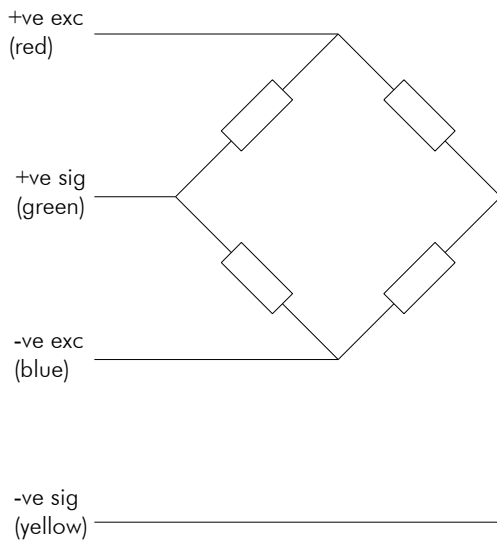


S Cell 250kg (0.25kN) to 20000kg (20kN)

- Welded covers
- Tension and compression
- Stainless steel
- High accuracy
- Sealed to IP68
- 4-20mA optional output

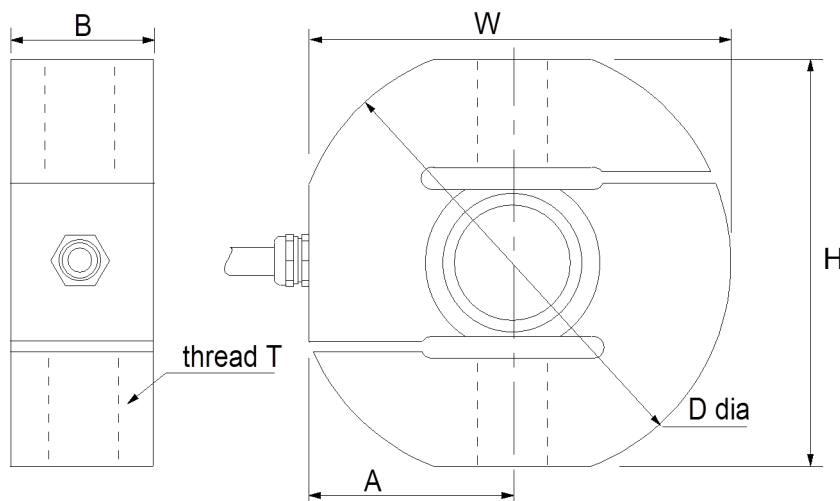


Capacities	250,500,1000, 2000,5000, 10000, 20000	kg
Full Load Output	2.0 (±0.25%)	mV/V
Zero Load Output	<±2.0	%
Excitation (Max)	10 (15)	V
Accuracy	<0.03	%
Repeatability	<0.01	%
Input Resistance	410 (±30)	Ω
Output Resistance	350 (±2)	Ω
Compensated Temp. Range	-10 to +40	°C
Operating Temp. Range	-20 to +60	°C
Temp. Coefficient on Zero	<0.0015	% Capacity/°C
Temp Coefficient on Span	<0.002	% Capacity/°C
Safe Overload	150	%
Ultimate Overload	>300	%
Insulation	>500 @100Vdc	MΩ
Environmental Protection	IP68	
Cable Length	4	m

Specifications subject to change without notice

Capacity (kg)	A	W	H	B	ØD	Thread T
250,500	35	72.5	70	24.5	75	M12 x 1.75
1000,2000	45	95	95	30	100	M20 x 1.5
5000	57.5	120	120	40	125	M24 x 2
10000	65	141	145	55	152	M30 x 2
20000	88	188	190	070	200	M45 x 3

All dimensions in mm



Options :
eye-bolts, compression fittings and instrumentation.
Please enquire for details.