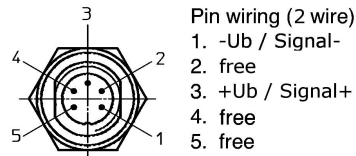


S Cell 250kg (2.5kN) to 20000kg (200kN)

- Welded covers
- Stainless steel
- Sealed to IP68
- Tension and compression
- High accuracy
- 4-20mA output

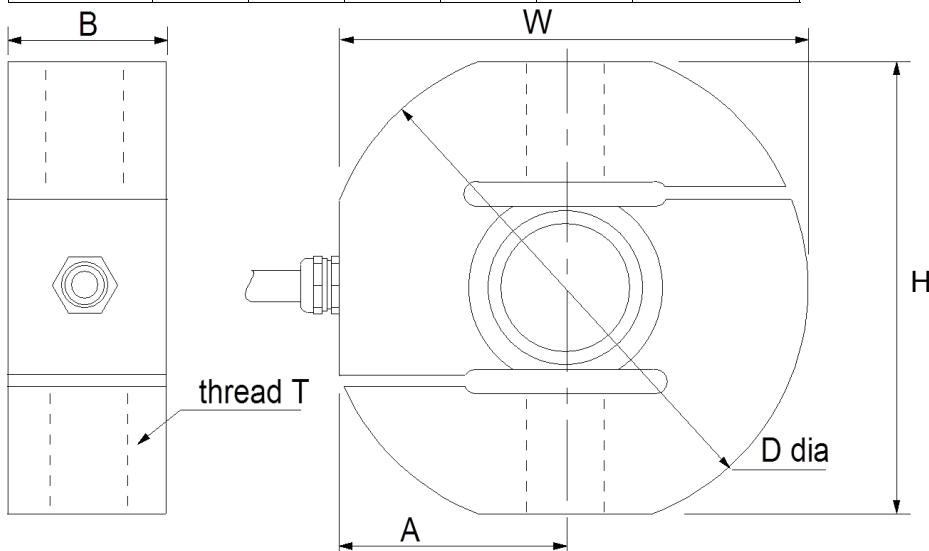
4-20mA sensor data

Electrical and Environmental	Min	Typ	Max	Units (Notes)
Power supply	7.5	24	30	V DC (note 1)
Operating Current	4	-	20	mA (note 2)
Operating temperature range	-40	-	85	°C
Storage temperature range	-40	-	125	°C
Reverse polarity protection	-	-	-	-
Measurement	Min	Typ	Max	Units (Notes)
Bridge excitation	1.05	1.11	1.16	V (note 4)
Bridge resistance	350	1000	5000	Ohms (note 5)
Bridge sensitivity	0.5	2.5	55	mV/V (note 6)
Output voltage range	4	-	20	mA
Output load	-	-	800	Ohms (note 7)
Band width	dc	-	1000	Hz
Zero adjustment	-	±2	-	%FR (note 3)
Span adjustment	-	±8	-	%FR
Linearity	-	0.02	-	%FR
Zero temp stability	-	0.001	0.005	±%FR/°C
Span temp stability	-	0.007	0.014	±%FR/°C



Capacity (kg)	A	W	H	B	ØD	Thread T
250,500	35	72.5	70	24.5	75	M12 x 1.75
1000,2000	45	95	95	30	100	M20 x 1.5
5000	57.5	120	120	40	125	M24 x 2
10000	65	141	145	55	152	M30 x 2
20000	88	188	190	070	200	M45 x 3

All dimensions in mm



Options :
eye-bolts, compression fittings and instrumentation.
Please enquire for details.

Capacities	250,500, 1000, 2000,5000, 10000, 20000	kg
Full Load Output	2.0(±0.25%)	mV/V
Zero Load Output Excitation	< ±2.0	%
(Max) Accuracy	10 (15)	V
Repeatability	<0.03	%
Input Resistance	<0.01	%
Output Resistance	410 (±30)	Ω
Compensated Temp. Range	350 (±2)	Ω
Operating Temp. Range	-10 to +40	°C
Temp. Coefficient on Zero	-20 to +60	°C
Temp Coefficient on Span Safe	<0.0015	% Capacity/°C
	<0.002	% Capacity/°C
Overload	150	%
	>300	%
Ultimate Overload Insulation	>500 @100Vdc	MΩ
Environmental Protection	IP68	
Cable Length	4	m

Specifications subject to change without notice

Issue 5 - 2013