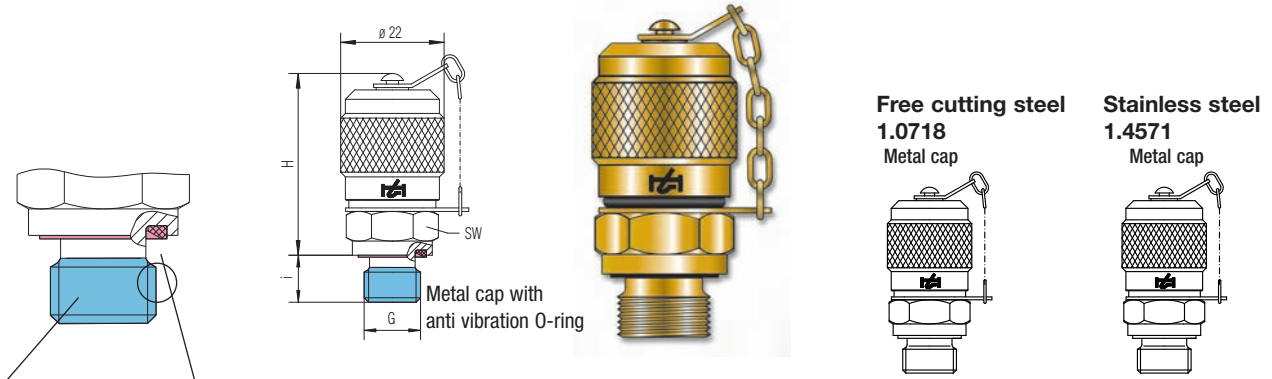


1604 Test points – M16 buttress thread



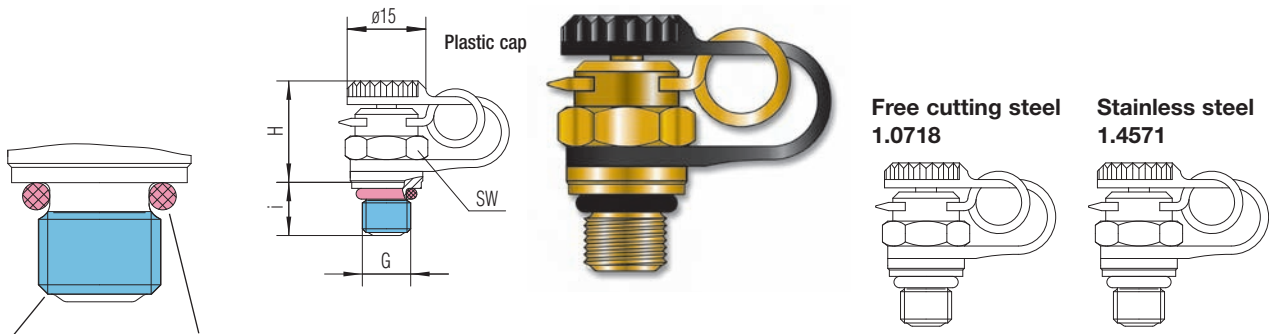
Thread <i>G</i>	Type of sealing <i>A</i>	Torque <i>Nm</i>	p max <i>Bar</i>	H <i>mm</i>	i <i>mm</i>	SW <i>mm</i>	Part number <i>with NBR – sealing</i>	Part number <i>with NBR – sealing</i>
M 10 x 1	Form G	12	400	43	8.5	17	2106-01-33.00	on request
M 14 x 1.5	Form F	40	400	40	10	19	2106-01-14.00	on request
ISO 228-G ¼	Form F	40	400	40	10	19	2106-01-18.00	2706-01-18.10

Option

For FKM (Viton) exchange end digits from 00 to 10

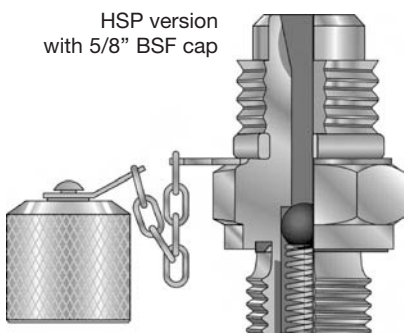
10

Plug-in test (steck) points – internal ball sealing



Thread <i>G</i>	Type of sealing <i>A</i>	Torque <i>Nm</i>	p max <i>Bar</i>	H <i>mm</i>	i <i>mm</i>	SW <i>mm</i>	Part number <i>with NBR – sealing</i>	Part number <i>with NBR – sealing</i>
M 8 x 1	Form G	6	400	17.5	8.5	12	2104-30-32.00	2704-30-32.10
M 10 x 1	Form G	12	400	17.5	8.5	12	2104-30-33.00	on request
ISO7/I-R ¼	Suitable sealant	–	400	17.5	8.5	12	2104-30-40.00	on request
¼ NPT	Suitable sealant	–	400	17.5	8.5	12	2104-30-43.00	on request

HSP style test points – 5/8” BSF



HSP Test Points

Size	Part number
½” BSP	2107-01-17.00
¼” BSP	2107-01-51.00

Gauge adaptors

HSP(F) to ¼” Gauge (F)	2107-07-01.62
------------------------	---------------

Changeover adaptor

HSP(F) to 1620(M)	HSPF/1620M
-------------------	------------