

HySense TE 110

Screw-in sensor for temperature measurement

This sensor is qualified by some specific characteristics. It can be installed in any orientation and achieves highly accurate values, as it is measuring in the medium directly. It can be installed and dismantled easily by screwing it into a 1620 series p/T-test point.



Qualities	
Screw series	1620
Measuring principle	Pt 100 (platinum measuring resistor acc. to DIN 43760, class B)
Measuring range	-50 ... +200 °C
Output signal	0 ... 20 mA / 4 ... 20 mA
Signal type	three wires (0 ... 20 mA) / two wires (4 ... 20 mA)
Supply voltage U_b	10 ... 30 VDC
Overvoltage protection	36 VDC
Error limit	< ± 1% of final value
Temperature error	< ± 0.3 % / 10 °C
Pressure load capacity	max. 630 bar / 63 MPa
Environmental temperature	-20 ... +80 °C (related to electronics)
Storage temperature	-20 ... +85 °C
Electrical measuring connector	5 pole device connector, M16 x 0.75
Mechanical measuring connector	see drawing
Protection type (EN 60529 / IEC 529)	IP 40
Material	1.4104
Suitable measuring cable	MK 01

Pin assignment	0 ... 20 mA	4 ... 20 mA
		Pin 1 = signal +
Pin 2 = signal - / GND		Pin 2 = free
Pin 3 = + U_b		Pin 3 = + U_b / signal +
Pin 4 = free		Pin 4 = free
Pin 5 = free		Pin 5 = free

Output signal	Weight	Order number
	g	
0 ... 20 mA	230	3973-04-01.00
4 ... 20 mA	230	3969-04-01.00
4 ... 20 mA	200	3354-10-02.00

Dimensions see page 57

HySense TE 118

Screw-in temperature sensor

This sensor is qualified by some specific characteristics. It can be installed in any orientation and achieves highly accurate values, as it is measuring within the medium. It has IP 69 and can be installed and dismantled easily by screwing it into a 1620 series p/T-test point.



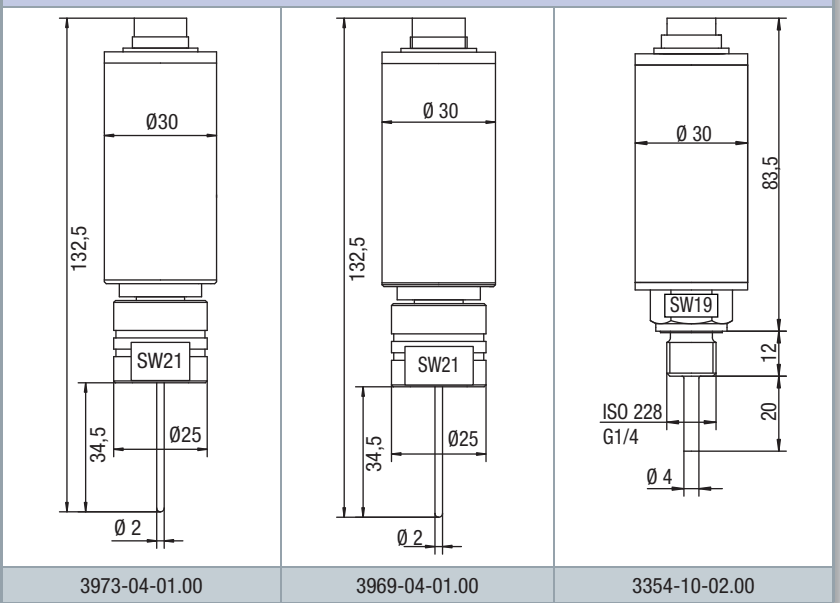
Qualities	
Screw series	1620
Measuring principle	Pt 100 (platinum measuring resistor in acc. to DIN 43760, class B)
Measuring range	-50 ... +200 °C
Output signal	4 ... 20 mA
Signal type	two wires
Supply voltage U_b	10 ... 30 VDC
Overvoltage protection	36 VDC
Error limit	< $\pm 1\%$ of final value
Temperature error	< $\pm 0.3\%$ / 10 °C
Pressure load capacity	max. 630 bar / 63 MPa
Environmental temperature	-20 ... +80 °C (related to electronics)
Storage temperature	-20 ... +85 °C
Electrical measuring connector	device connector AMP 3 pole, acc. to DIN 72585
Mechanical measuring connector	see drawing
Protection type (EN 60529 / IEC 529)	IP 69
Material	1.4104
Suitable measuring cable	customer-specific

Pin assignment	4 ... 20 mA
	Pin 1 = - U_b / signal -
	Pin 2 = free
	Pin 3 = + U_b / signal +

Output signal	Weight	Order number
	g	
4 ... 20 mA	200	3969-04-05.00

Dimensions see page 57

TE 110



3973-04-01.00

3969-04-01.00

3354-10-02.00

TE 118

