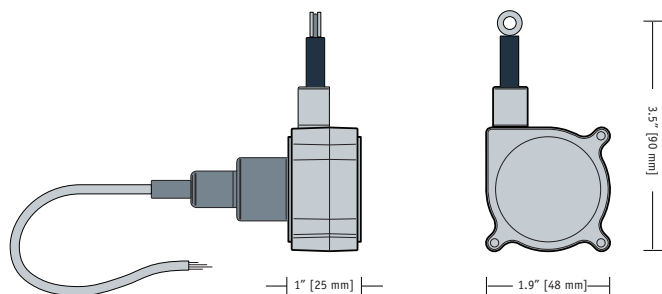


SP3

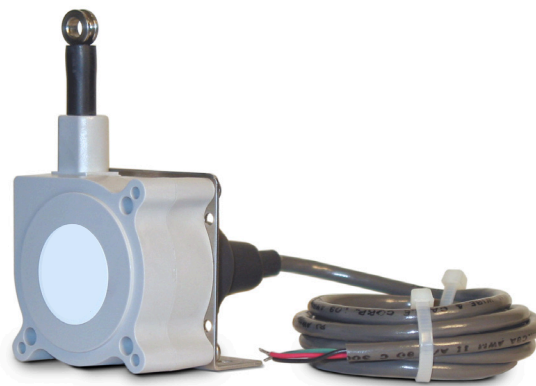
Low Cost String Pot

User Selectable Output: 4..20 mA or 0..10 Vdc
 Absolute Linear Position to 50 inches (1.3 m)
 40-inch electrical cable w/ sealed strain relief
 Handy Mounting Bracket • Free Release Tolerant



SPECIFICATIONS

Available Stroke Ranges	4.75, 12.5, 25, 50 inches
User Selectable Output Signal	4...20 mA (2-wire) / 0...10 Vdc
Input Voltage, 4...20 mA option	8-40 VDC
Input Voltage, 0...10 Vdc option	12-32 VDC
Accuracy	.25% to 1% FS. (see ordering info)
Repeatability	.05% FS.
Resolution	essentially infinite
Measuring Cable	.019-inch dia. nylon-coated stainless steel
Maximum Acceleration	15 g (retraction)
Measuring Cable Tension	7 oz. (1.9 N) ±30%
Sensor	plastic-hybrid precision potentiometer
Cycle Life	see ordering information
Enclosure	polycarbonate
Electrical Connection	40-inch (1 m), multi-conductor cable
Operating Temperature	0° to 160° F (-18° to 70° C)
Weight (not including bracket)	3 oz (90 g)



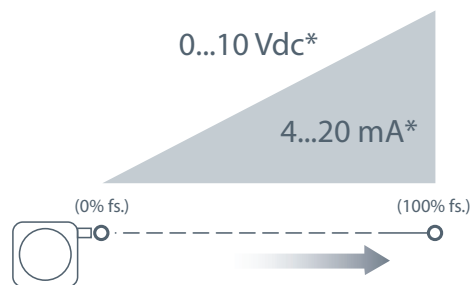
The SP3 is a compact, economical stringpot that provides a user selectable 4-20 mA or 0-10 Vdc output signal. Simply install this sensor using the handy mounting bracket and connect the appropriate wires for the desired output. This can also be supplied with mating DIN plugs.

The SP3 is constructed with a rugged, water resistant polycarbonate body that has been compactly designed for tight spaces and generous measuring cable misalignment. With 4 different ranges, the SP3 is a perfect solution for many applications from light industrial to OEM. Just like all of our other SP and SE models, the SP3 is in stock ready to ship.

ORDERING INFORMATION

Item Number	SP3-4	SP3-12	SP3-25	SP3-50
full stroke range	4.75 in (120 mm)	12.5 in (317 mm)	25 in (635 mm)	50 in (1270 mm)
accuracy (% of f.s.)	1.00%	0.25%	0.25%	0.25%
cycle life	2.5M cycles	500K cycles	500K cycles	250K cycles

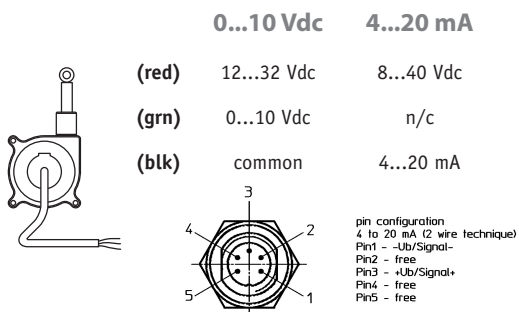
Output Signal:



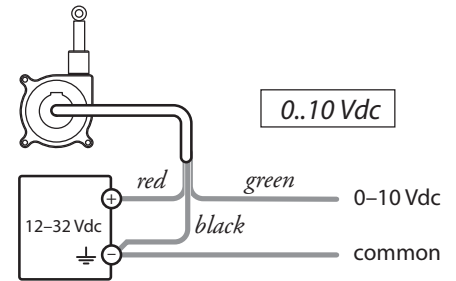
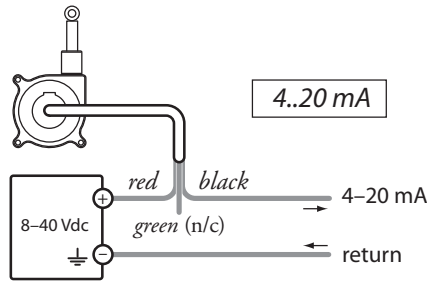
*note: output signal endpoint tolerance

Output Signal	0% fs.	100% fs.
4...20 mA	4 - 4.25 mA	19.2 - 20 mA
0...10 Vdc	0 - .2 Vdc	9.5 - 10 Vdc

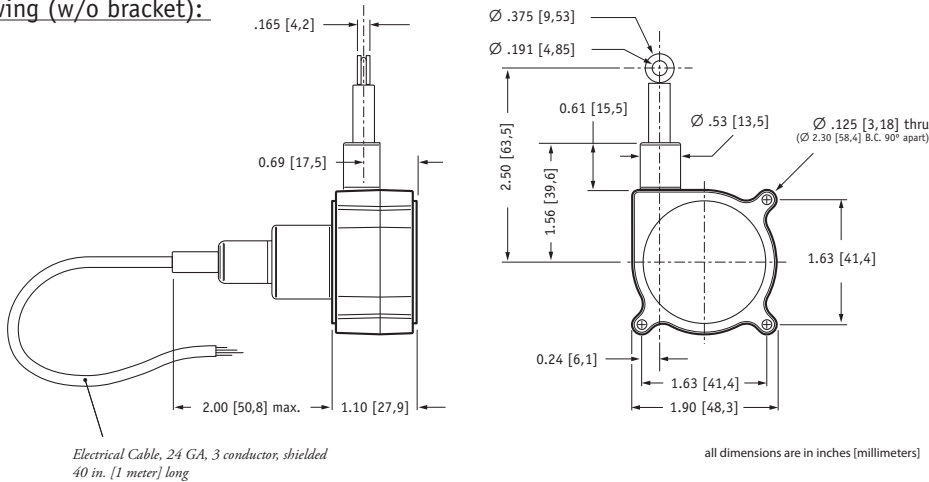
Electrical Connection:



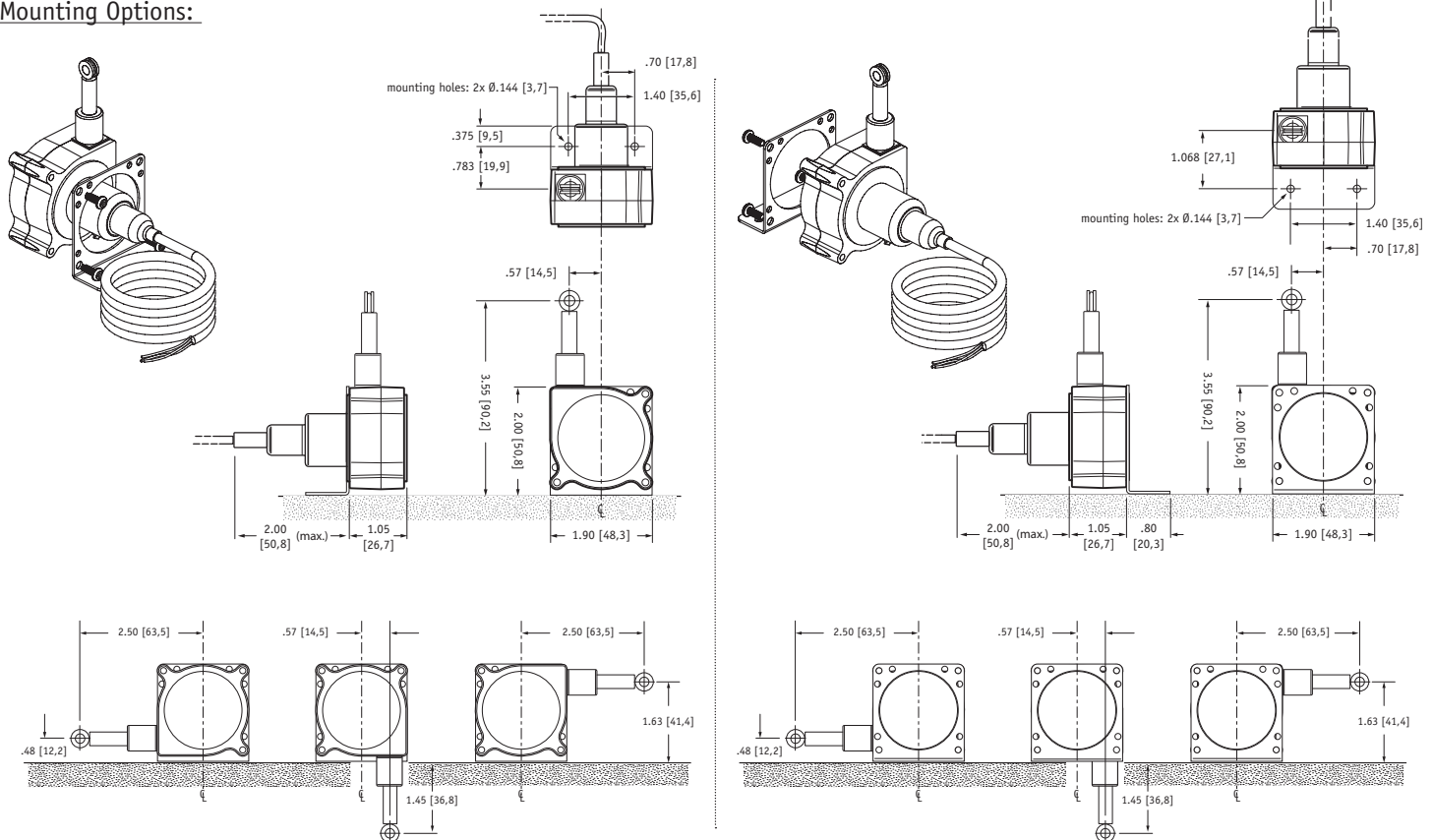
Output Signal Options:



Outline Drawing (w/o bracket):



Mounting Options:



version: 1.0 last updated: October 1, 2010